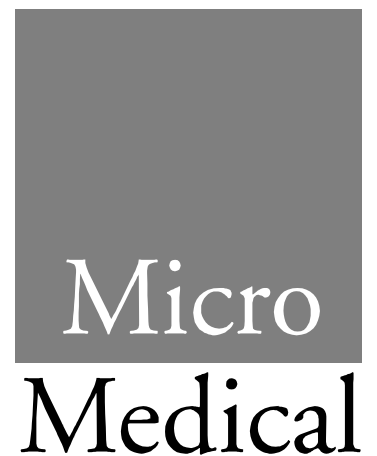


Super Spiro - Service Manual

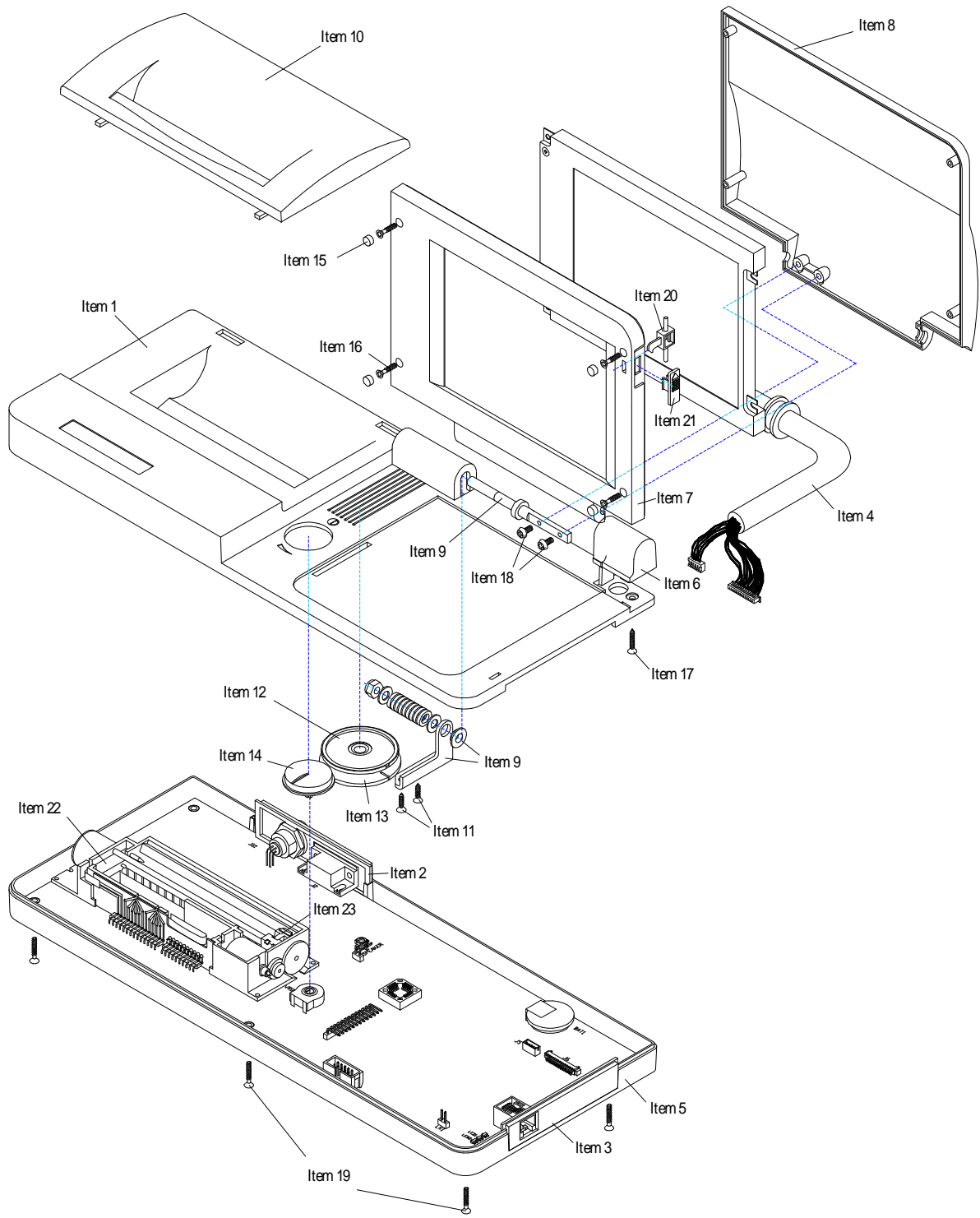
056-09 Issue. 1.0 November 1999



Contents

Exploded isometric view	Page 3
Parts list	Page 4
System overview	Page 5
Transducer	Page 6
Disassembly instructions	Page 7
Re-assembly instructions	Page 8
Circuit description	Page 9
Microprocessor circuit	Page 9
Flash disk	Page 10
Serial interface	Page 10
Transducer interface	Page 10
Frame store	Page 10
FPGA	Page 11
Keypad circuit	Page 11
Real time clock circuit	Page 12
Sound generator circuit	Page 12
Printer control circuit	Page 12
Expansion	Page 12
Printer driver circuit	Page 12
Technical support	Page 13
Fault analysis	Page 14
Circuit diagrams	
Micro processor circuit	Page 15
FPGA circuit	Page 16
Keypad circuit	Page 17
Real time clock circuit	Page 18
Printer circuit	Page 19
Printer driver 1	Page 20
Printer driver 2	Page 21

Exploded Isometric View



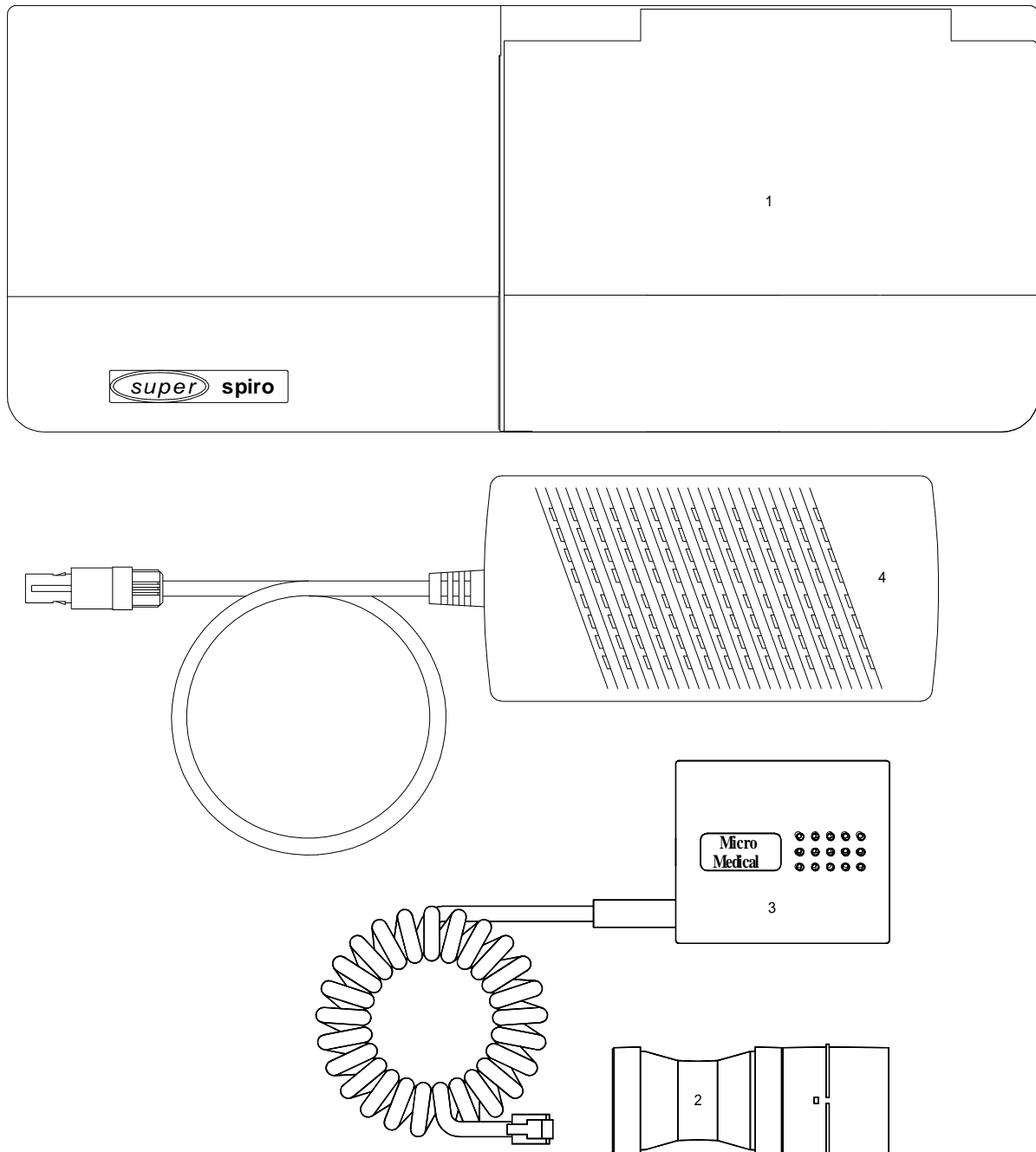
Parts List

ITEM No.	DESCRIPTION	MICRO MEDICAL PT No.
1	TOP MOULDING	MLD5611A
2	BACK PANEL	MLD5615C
3	SIDE PANEL	MLD5615B
4	DISPLAY CABLE ASSEMBLY	ASS5624
5	BOTTOM MOULDING	MLD5612A
6	HINGE BLOCK	MLD5618
7	DISPLAY FRONT	MLD5613
8	DISPLAY BACK	MLD5614
9	DISPLAY HINGE ASSEMBLY	ASS5601
10	PAPER COVER	MLD5617
11	CSK SELF TAPPING SCREW 9mm LONG	SCR5604
12	SPEAKER	SPKR100
13	SPEAKER COVER	MLD5620
14	CONTRAST WHEEL	MLD5621
15	SCREW COVER	MLD5616
16	CSK SELF TAPPING SCREW 8mm LONG	SCR5602
17	CSK SELF TAPPING SCREW 13mm LONG	SCR5601
18	M3 MACHINE SCREW 6mm LONG	SCR0306
19	CSK SELF TAPPING SCREW 18mm LONG	SCR4700
20	DISPLAY LATCH	MLD5619
21	DISPLAY LATCH BUTTON	MLD5622
22	PRINTER MECHANISM	PTR4200
23	THERMAL PRINT HEAD	TPH3000

Super Spiro - System Overview (Fig. 1)

The Micro Medical Super Spiro is a data recording spirometer consisting of a microcomputer unit (1) incorporating a 1/4VGA colour LCD display, data entry keypad, RS232 serial interface and all associated circuitry. It is supplied with a digital volume transducer (2), disposable mouthpieces, transducer holder (3) and mains adapter (4). The Super Spiro is powered by a universal mains adapter (4).

When testing a subject the transducer is inserted into the holder which is plugged into the microcomputer unit. The digital volume transducer is used to measure the subjects expired flow and volume in accordance with the operating manual.

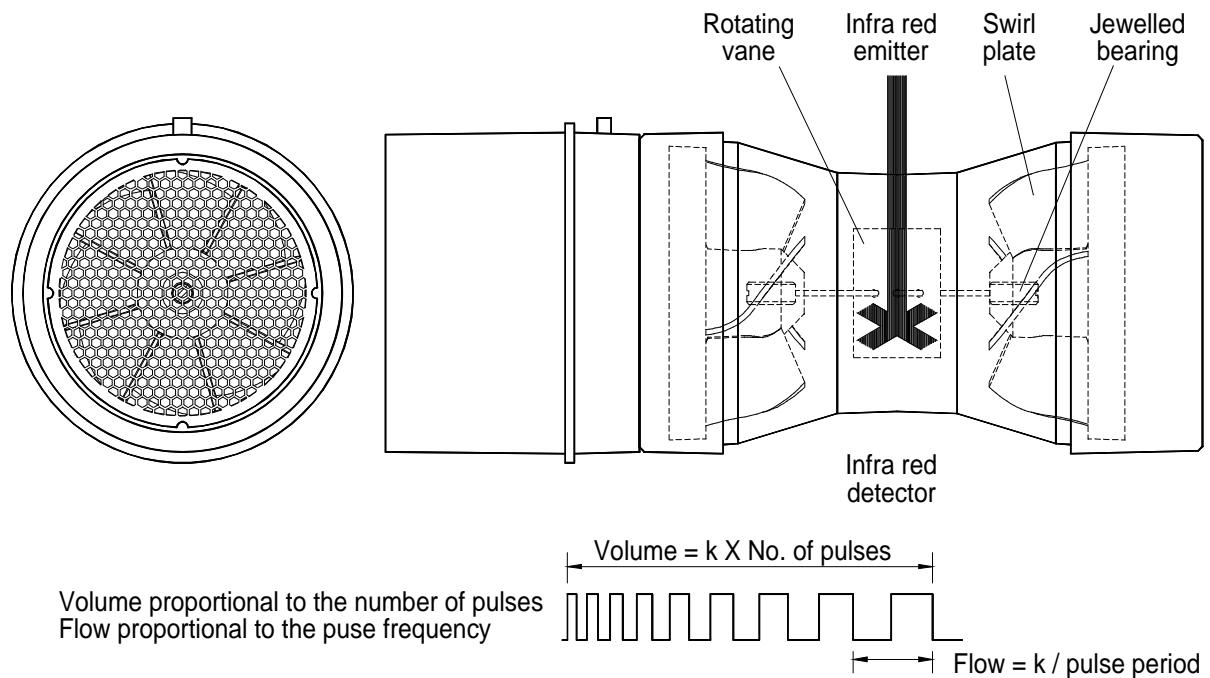


Transducer (Fig. 2)

The Micro Medical digital volume transducer consists of an acrylic tube with a vane positioned between two swirl plates. The low inertia vane is attached to a stainless steel pivot, which is free to rotate on two jewelled bearings mounted at the centre of the swirl plates. As air is passed through the transducer the swirl plates create a vortex, which causes the vane to rotate in a direction dependant upon the direction of airflow. The number of rotations is proportional to the volume of air passed through the transducer and the frequency of rotation is proportional to the flow rate. The transducer housing consists of a main body that contains a pair of light emitting diodes (LED's) and phototransistors. The transducer is fixed to the mouthpiece holder which pushes into the main body and is captured by an "O" ring seal. The LED's produce infra red beams which are interrupted by the vane twice per revolution. This interruption is sensed by the phototransistors. The output from the collector of each phototransistor will be a square wave with a phase difference between the two of + or - 90 degrees depending upon the direction of flow.

There is no routine maintenance required for the transducer other than cleaning according to the instructions in the operating manual.


Micro Medical Digital Volume Transducer



Disassembling the Super Spiro for Repairs

Main Unit


1. Disconnect all mains power supplies
2. Remove paper roll and paper roll housing cover, and put to one side

	We recommend that you use a Philip Number Zero screwdriver for the following instruction.
-----------------------------------------------------------------------------------	--------------------------------------------------------------------------------------------------

3. Place the Super Spiro face down to remove the six screws (Item 19) in the lower moulding, and put the screws to one side.
4. Turn the unit face up before easing the upper and lower mouldings apart.
5. Reconnect mains power supply
6. The Super Spiro is now ready for fault finding.

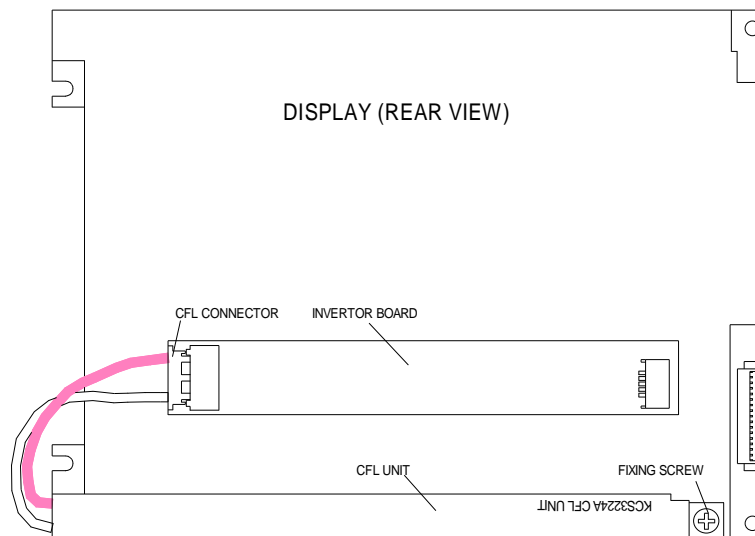
Display Console

1. Remove the 4 screw covers (item 15) and dispose of.

	We recommend that you use a Philip Number Zero screwdriver for the following instruction.
-------------------------------------------------------------------------------------	--------------------------------------------------------------------------------------------------

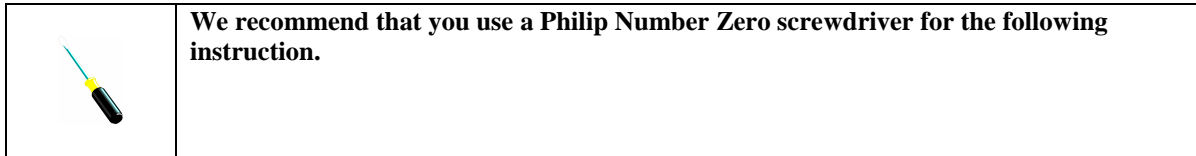
2. Remove the 4 screws (item 16) and put to one side.
3. Carefully remove the display front panel (item 7) and put to one side.
4. Carefully pull the display away from the display back moulding (item 8).
5. Unplug the 2 connectors from the main display.
6. The display backlight is now ready for replacement.

Display backlight replacement



1. Place the display face down on a clean work surface

2. Unplug the connector from the Inverter board situated on the back of the display.



3. Loosen the fixing screw located on the CFL unit.
4. Slide the CFL unit to the opposite direction to the arrow mark (located on the CFL unit) and pull the unit gently up.
5. Safely dispose of the CFL unit.
6. Take a new CFL unit and position in the original place.
7. Slide the CFL unit in the direction of the arrow.
8. Tighten the fixing screw to secure the CFL unit.
9. Reconnect the connector on the CFL unit to the inverter board.

Reassembling the Superspiro after repairs

Main unit

1. Disconnect all mains power supplies
2. Position the top moulding over the bottom moulding and ensure that they both mate ensuring that the contrast wheel (item 14) is correctly located.
3. Place the Super Spiro face down and insert the six screws.
4. Turn the unit face up and connect the mains supply.
5. Turn the unit and offer up the paper roll as explained in the operating manual.
6. Replace the paper cover.
7. The Super Spiro is now ready for operation.

Display console

1. Reconnect the 2 connectors on item 4 to the plugs on the display ensuring correct polarity.
2. Position the display over the locating pillars on the display back panel (item 8).
3. Position the display front panel (item 7) over the display.
4. Secure the display using 4 screws (item 16)
5. Replace the 4 screw covers (item 15).

Circuit Description

The Super Spiro board was designed primarily to interface with the Micro Medical Spirometer turbine, but the interface was kept open ended so that other modules, for example, airways resistance by the interrupter method (Rint) can be attached. Furthermore, a 9 pin 'D' type connector was also designed in to allow other 'customer special' modules to be attached. Provision was given to add a mezzanine board for customer special interface circuitry to be connected.

The main features of the design are:

Intel 80386EX micro controller.

2 Mbytes of DRAM (only 1 Meg is used).

512 Mbytes of Flash EPROM for programme. (256K used)

2 Mbytes of Flash EPROM as Flash disk memory.

Dual frame store of 320 X 240 X 8 pixels.

Second frame store can be scrolled horizontally or vertically.

Frame store, key pad, Dram etc. are all controlled by single FPGA chip.

Boot software can be downloaded using the JTAG port.

In built printer and printer controller.

Serial port for external PC communication / external printer.

RJ11 interface to Micro Medical modules.

The following paragraphs describe the circuits printed at the end of this manual. Signal and component names shown on the circuit diagrams are printed in **bold** type.

Microprocessor circuit (Drawing 056-02)

The board is controlled by an Intel 80386EX, **U14**, running at 25 MHz. The crystal oscillator, **U15**, of 50MHz drives the processor, as twice the operating frequency is required. **U10** (MAX 824) controls the reset of the processor, such that it resets the processor if the supply voltage drops below 4.6V. The processor requires a high active reset line whilst the rest of the board requires a low active reset.

The start up program is stored in **U20**, a 512 Mbytes Flash EEPROM – TE28F160S. This is selected by the signal **UCS** (**U14** pin 1) which is always active on start up. The reset of the chip select lines are then programmed by the boot routine.

The program memory has two major parts, the boot section and non-boot section. The boot section is secured, and can only be programmed if the link **LK1** is present and **VPPEN** (**U14** pin 110) is enabled, supplying **VCC** to pin 13 of **U19**. This section is programmed with a boot loader via the on-board socket, **J9**. Whilst this is happening the processor goes into suspend mode, and all its pins are then available in a long shift register. By entering a correct sequence of code, via **J9**, the boot loader can be programmed into **U19**. Once this is done, the link is removed and processor is reset and it would then run the boot loader, thus allowing further software to be downloaded. The rest of **U19** is filled with kernel software that controls the flash disk as well as most I/O functions, just as the BIOS does in the PC.

U18 is 1M X 16 (2 Mbytes) DRAM which is the main RAM of the processor. Only 640 K is directly available to the processor, and 128 K is used for storing the display image temporarily (see later).

The DRAM refresh and address multiplexing is controlled by **U13** – Xilinx XC4006E FPGA. The chip select for the DRAM, **UC3**, is mapped for 0 - \$BFFFF, but \$A0000 - \$BFFFF is frame store memory, so **UC3** is only valid if frame store is invalid. This will become clearer in the Frame Store section.

Q23, **Q24** and **U22A** are used to switch on 5 volts to **VPP** of Flash EEPROM. This gives extra security against any part of the program becoming corrupted by software. However, the software can write the non-boot section, by enabling the **VPP** line and following the EEPROM erase/write algorithm. Chances of both these events accidentally happening are very small. Nevertheless, the boot software is completely protected by the absence of Link LK1.

Flash Disk (Drawing 056-02)

The flash disk, **U20**, behaves just like a PC floppy disk drive except that it is non-removable. Its size is 2 Mbytes with sector size of 512 bytes. The main difference is that there is a finite number (approximately 100,000) of times the sectors can be written, so an intelligent disk operating system is employed to rotate the sectors round, and delete the others when no system activity is envisaged. Delete takes few milliseconds. The Flash Disk is mapped at \$C8000 - \$CBFFF (16K blocks). There are 128 pages of 16K, and the pages are controlled by 8 bit latch **U17**, which holds the page number (higher addresses) of the Flash disk.

The board is designed to accommodate a larger 4 Mbytes device with 256 pages.

The MSB of the page line (**U17/19**) is connected to green led. This is mainly used for testing of the board and has no other significance.

Serial Interface (Drawing 056-02)

U4 (MAX3223) converts logic levels to RS232 levels. **J3**, a 9-pin female D type connector, is used as the external RS232 port. The signal pins are such that it can make one to one connection with the PC serial port. It has the facility to use hardware handshaking lines CTS and RTS, but these are currently not used. If power supply is required from the RS232 connection, say to drive a serial to parallel converter, then fuse FS2 can be fitted to give 5V on pin 4

J3 pin connections.

1	N/C
2	TX
3	RX
4	5V*
5	GND
6	N/C
7	CTS
8	RTS
9	N/C

* If fuse connected.

Transducer Interface (Drawing 056-02)

The connector, **J13**, is used for connecting to Micro Medical transducers, namely Spirometer turbine, Rint and NEP transducers. It is a 6-pin interface, though for turbine, the middle 4 lines are used. 12V power is available on pin 5 and GND on pin 4. The rest of pins are multifunction, and can be configured in various ways, either as inputs, outputs or SPI bus. Pins 2 and 3 have schmitt trigger inputs connected to it, mainly for turbine operation.

Frame Store (Drawing 056-03)

Frame Stores are mapped from address \$A0000 to \$BFFFF (128 Kbytes). Although, the actual display is 320 X 240 pixels, the frame store is organised as 512 X 256 pixels. This organisation makes the design much simpler. The frame store memory **U11** and **U12** are both high speed static RAM, **U11** being a fixed frame store (A) and **U12** a scrolling frame store (B). They overlay on top of each other and their mode can be controlled by I/O register in the FPGA, **U13**. It can be organised as A on B, B on A, A only or B only. A on B means that where the A data is 0, B data is displayed. This allows a border to be displayed on fixed screen, and a waveform scrolled inside the window. During read, both the memories are multiplexed, so that its data can be read in one cycle. The display requires data as 8 bits, with r1, g1, b1, r2, g2, b2, r3, g3 as the first byte, b3, r4, g4, b4, r5, b5, g5, r5 as the second byte and so on. The data from frame store is available as pixel 1, pixel 2 etc. with each pixel being 8 bits. The FPGA has the necessary look up table to display 64 colours (bits 0 –

bits 5) and converts pixel data to RGB data as required by LCD. This is a complex operation and is beyond the scope of this document. It is sufficient to know that the RGB data is sent out to LCD via **J11**.

DISP_FRAME signal is a single line, active low pulse at the start of every frame.

DISP_LOAD is a single, active low, clock pulse at the start of every line.

DISP_CLK clocks the data **DISP_D0** – **DISP_D7** into the display.

DISP_CNTL enables the display.

U25 is a DC to DC converter to give 26.4 volts from 5V supply. This is the bias voltage for the LCD display. It can be slightly adjusted by **VR1** to give better contrast at different viewing angles.

J10 is a back light connector that provides power to the back light. **Q22** is used to enable the back light. It was designed for power saving, but since the unit only operates on mains, this feature is not currently used. **VR3** controls the back light intensity in some back light modules, but this feature is not in the modules currently fitted.

The frame store data can be saved quickly in the RAM that resides in the same address space, using a block transfer. This is done by first programming the **CS3** line to address space \$A0000 - \$AFFFF. Since \$B0000 - \$BFFFF is now not the part of CS3, the FPGA will map it to DRAM. The whole 64K page can be transferred from \$A0000 (frame store) to \$B0000 (RAM). The CS3 line is then programmed for \$B0000 - \$BFFFF allowing \$B0000 (frame store) page to be transferred to \$A0000 (RAM) page. **CS3** is then restored back to \$A0000 - \$BFFFF.

Restoring the screen is inverse of the above procedure.

FPGA (Drawing 056-03)

This device controls most of the circuitry not controlled by the processor. The program for the FPGA resides in serial EEPROM, **U8**, and is downloaded once on power up. The processor monitors the **FPGADONE** line to ensure that FPGA is programmed before commencing, otherwise, the DRAM will not be operational.

Besides DRAM, the FPGA controls the LCD display, keypad, sound chip, and most of chip select lines. These CS lines can be programmed in the processor, but this can be further qualified in the FPGA if necessary. There are some spare serial enable lines for an additional 9 pin I/O port and the mezzanine expansion board.

Keypad Circuit (Drawing 056-04)

The keypad consists of a matrix of 25 keys together with a separate paper feed key and on/off key. The matrix is read by successively pulling the columns of the matrix low, **KEYOUT[0..4]**, and reading the state of the rows, **KEYIN[0..4]**, to determine which key has been pressed. **KEYOUT[0..4]** and **KEYIN[0..4]** are connected directly to the FPGA (see 056-03). The diodes, **D7** and **D8**, prevent current flowing between the lines of **KEYOUT[0..4]** in the event of two keys on the same row being depressed simultaneously. The resistor network, **RN5**, bias **KEYIN[0..4]** to **VCC**.

The on/off switch is used to apply the **5V** from the external power supply to the circuit, **VCC**, and turning the unit on. When the on/off key is depressed, the pull up resistor, **R3**, is pulled to ground. **R3**, **C17** and the schmitt input gate **U3A** form a de-bounce circuit whose output is applied to the clock input of a bi-stable latch, **U2B**, that is powered directly from 5V and is active all the time the power supply is plugged in. The output of the latch is applied to **Q19** that in turn switches the series pass transistor, **Q20**, to connect **5V** to **VCC**. The latch, **U2B**, is also controlled by the set and reset inputs. By taking the set input to **5V** the unit will be turned on and by taking the reset input to **5V** the unit will be turned off regardless of the clock input. The set input is asserted by either the real time clock alarm output, **RTC_INT** (see 056-05), or by the **POWER_ON** signal from the processor (see 056-02). The reset input is asserted or by the **POWER_OFF** signal from the processor.

Real Time Clock Circuit (Drawing 056-05)

The real time clock, **U16**, is set by the processor during the factory set-up and may be adjusted using the configuration module. The processor communicates with the real time clock through a bi-directional serial interface line, **RCA_DATA**, is clocked by **RTS_CLK**, and is selected by **RTC_SEL**. The processor (see 056-02) generates these three control lines.

Sound Generator Circuit (Drawing 056-05)

The various sounds used in the spirometry tests are generated by **U7** and associated components. This device contains the addressable, pre-programmed sounds and is controlled by the lines, **SNDCNT[0..5]**, generated by the **FPGA** (see 056-03).

Printer Control Circuit (Drawing 056-06)

The printer driver uses a single chip micro-controller, **U6**, with on board program memory and RAM to receive serial data from the microprocessor, **U14**, and control the printer mechanism. The asynchronous serial lines **PRNTDATA** and **PRNTACK** are used by **U14** to send and receive data to and from **U6**. The signal **BUSY** generated by **U6** is used to control the flow of data from **U14** and **PF** is generated by the paper feed key.

The printer mechanism uses stepper motors to drive the print head and paper feed. Each stepper motor uses four lines, driven sequentially. The order in which the lines are driven determines the direction of rotation. The thermal print head uses eight heater elements. The stepper motors and print head signals are generated on port A and B (active high) of **U6**. Timing for Port A and B is derived from an adjustable oscillator comprising of **U9** and associated components. Adjusting **VR2** varies the oscillator frequency and consequently the period for which the thermal elements are energised. This in turn adjusts the print density. After the micro-controller is first reset, the print head is driven to the left until the end switch is activated. The end switch consists of a normally closed pair of contacts accessed at pins 1 and 2 of the printer connector **J2**. The end switch is detected by PD5 on the micro-controller.

Expansion (Drawing 056-05)

J8 and **J12** are 10-pin header connectors that allow a mezzanine card to be fitted. This is used for future customer special circuitry. Similarly, **J14** is placed near the output plate on the right side of the unit to allow customer special signals to be connected to the mezzanine board or to the processor directly.

Printer Driver Circuits (Drawings 056-07 and 056-08)

The outputs from port A and B of **U6** drives the two stepper motors and eight thermal elements through the high current transistors **Q1** to **Q16** in common emitter configuration. Diodes **D1** to **D4** are used to dissipate the inductive fly-back from the stepper motors and elements.

Power Supply

An external, dual voltage, supply provides 5.5 volts and 12 volts to socket **J1** (Drawing 056-05). This power supply has a universal input, is factory sealed, and contains no user serviceable parts.

Technical Support

Great Britain and World Headquarters

Micro Medical Ltd

PO Box 6

Rochester

Kent ME1 2AZ

Telephone + 44 (0)1634 360044

Fax +44 (0)1634 360055

Web Site <http://www.micromedical.com.uk>

Email support@micromedical.com.uk

Contact Micro Medical Ltd for the local agent in your region or country for local service:

Fault Analysis

The following analysis is only a guideline and should be carried out in a logical sequence. If the fault is still apparent after the following suggestions then the unit should be fault found using the circuit descriptions and circuit diagrams provided.

When the unit is turned on there is no display present

-Ensure charger is turned on at the mains.

FVC readings are low

-Remove turbine from transducer housing. Taking the turbine, move it slowly through the air and check that the vane is not sticking.

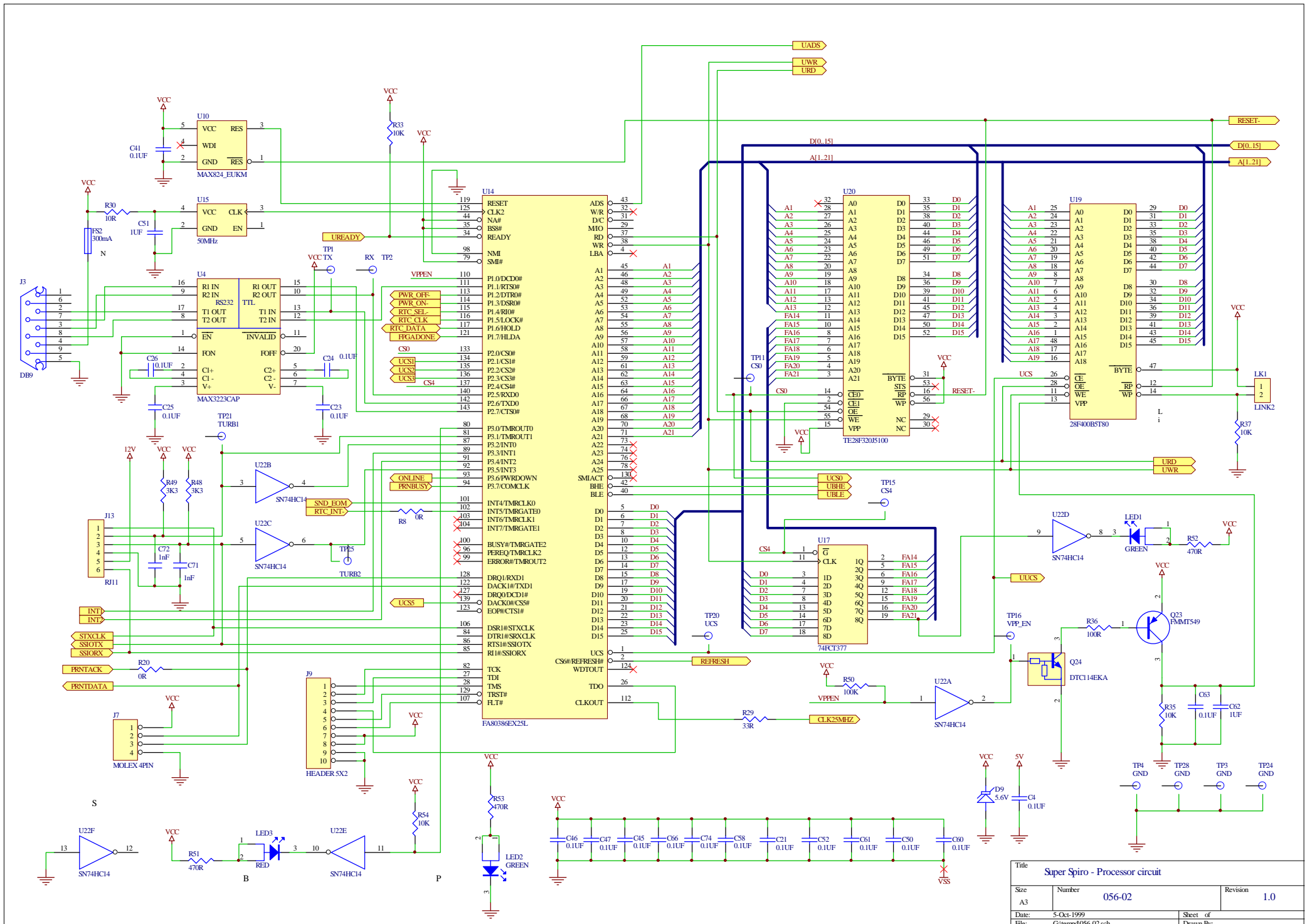
The unit does not record any blows

-Inspect transducer housing connector for damage.

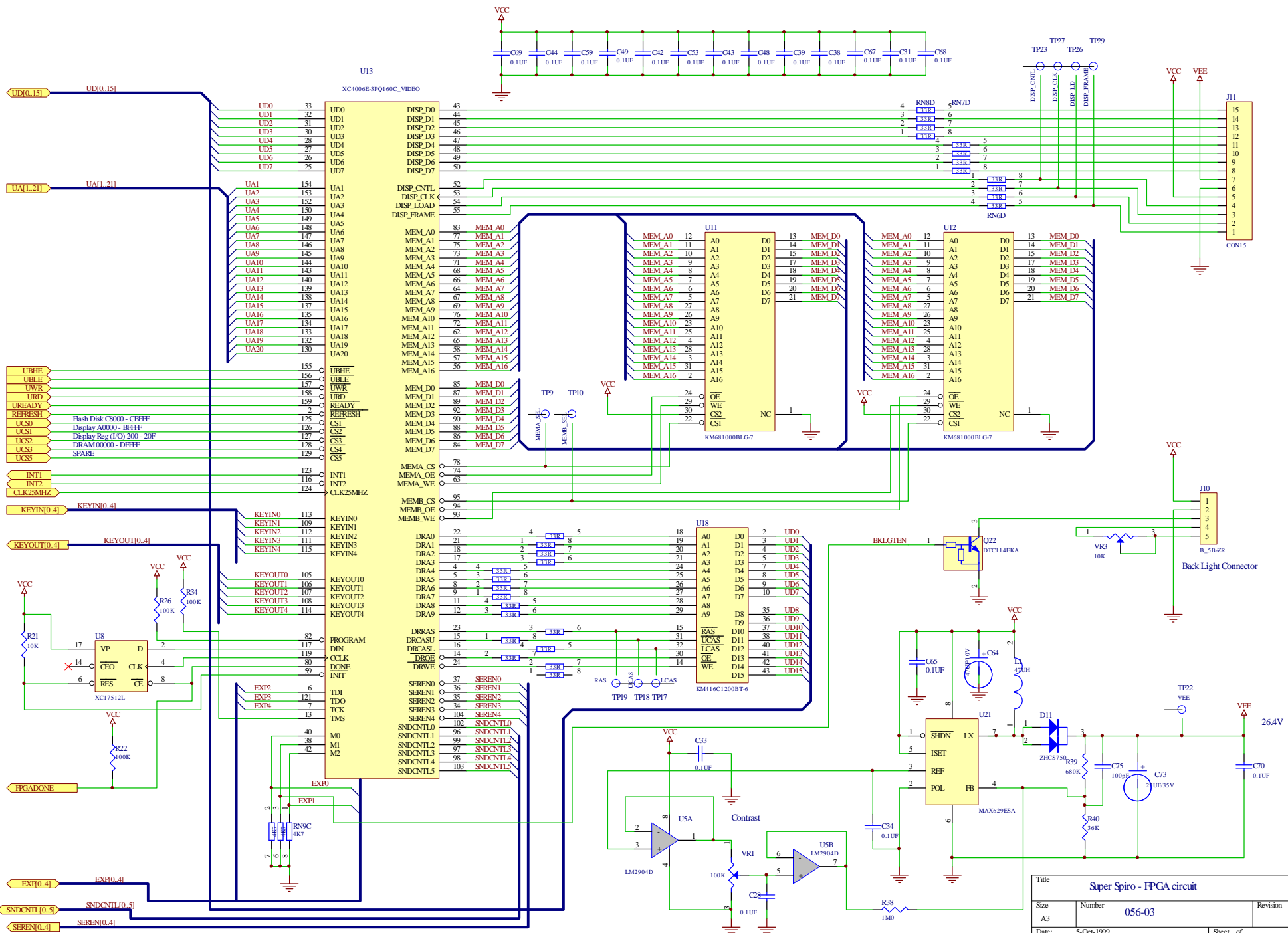
-Check that transducer housing lead is properly connected to the RJ11 socket.

-Remove turbine from transducer housing. Taking the turbine, move it slowly through the air and check that the vane is not sticking.

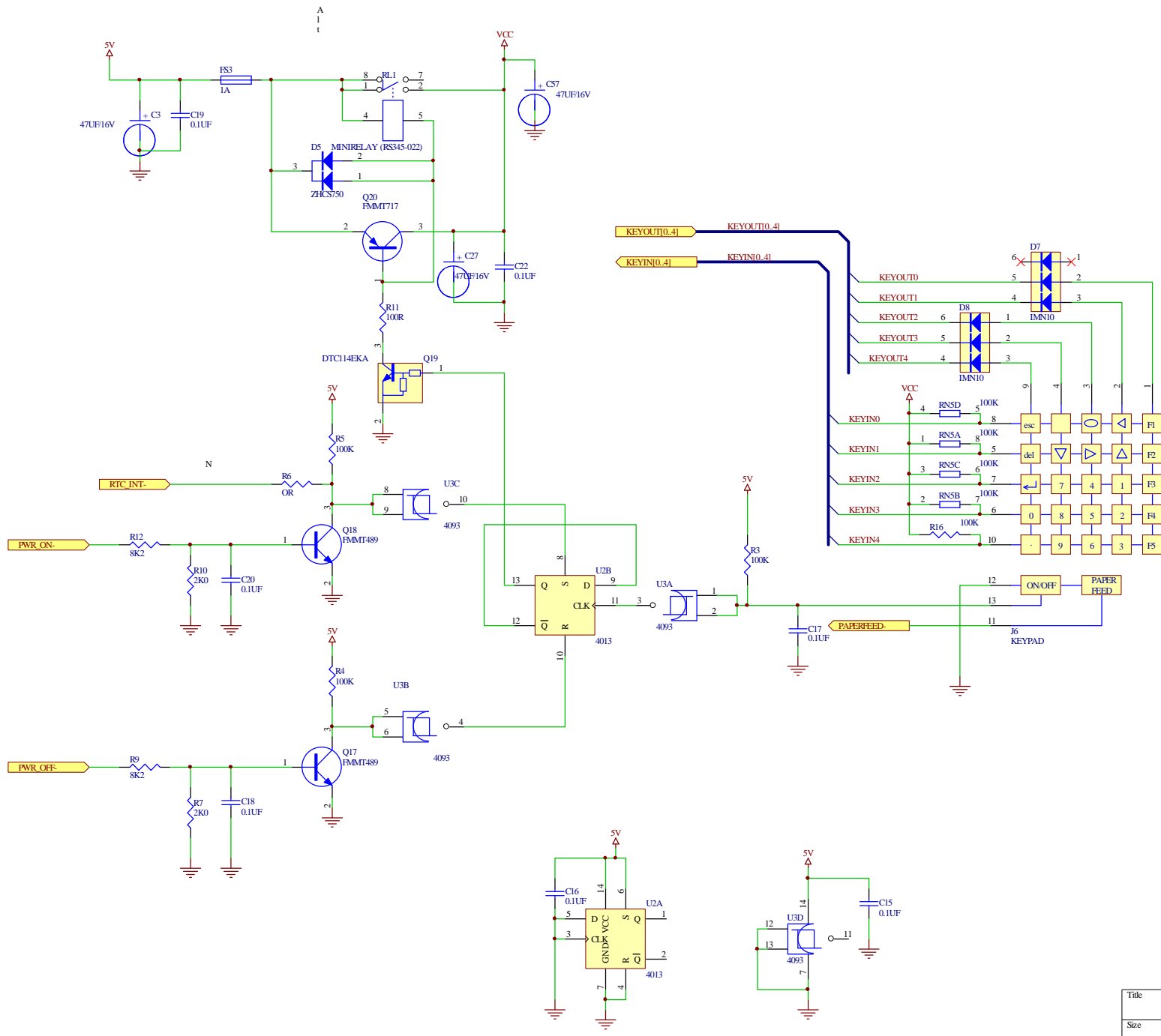
-Blow into transducer housing and move transducer head cable around to check for breaks in the cable.



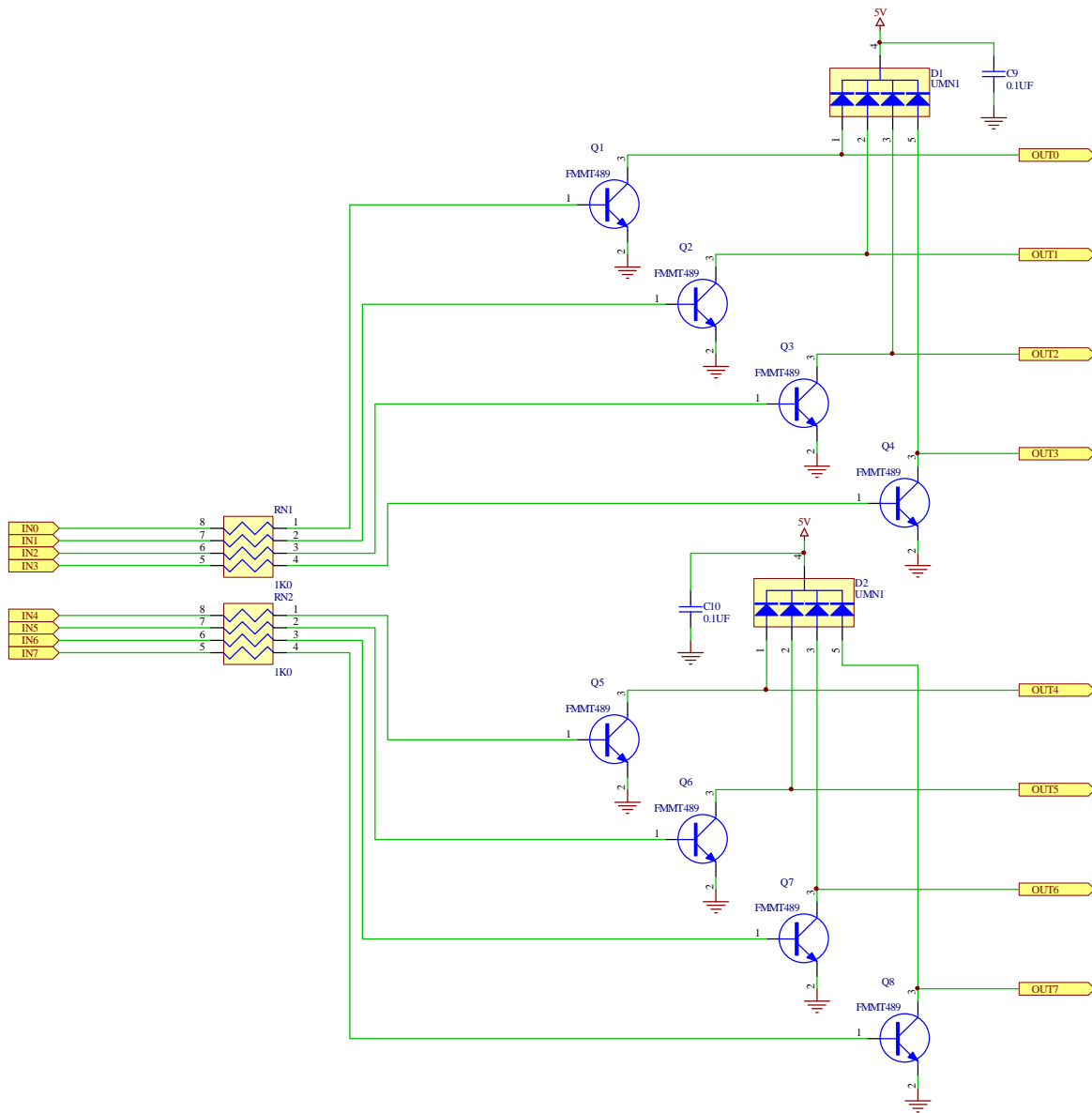
Title			
Super Spiro - Processor circuit			
Size	Number	056-02	Revision
A3			1.0
Date:	5-Oct-1999		Sheet of
File:	G:\temp\056-02.sch		Drawn By:



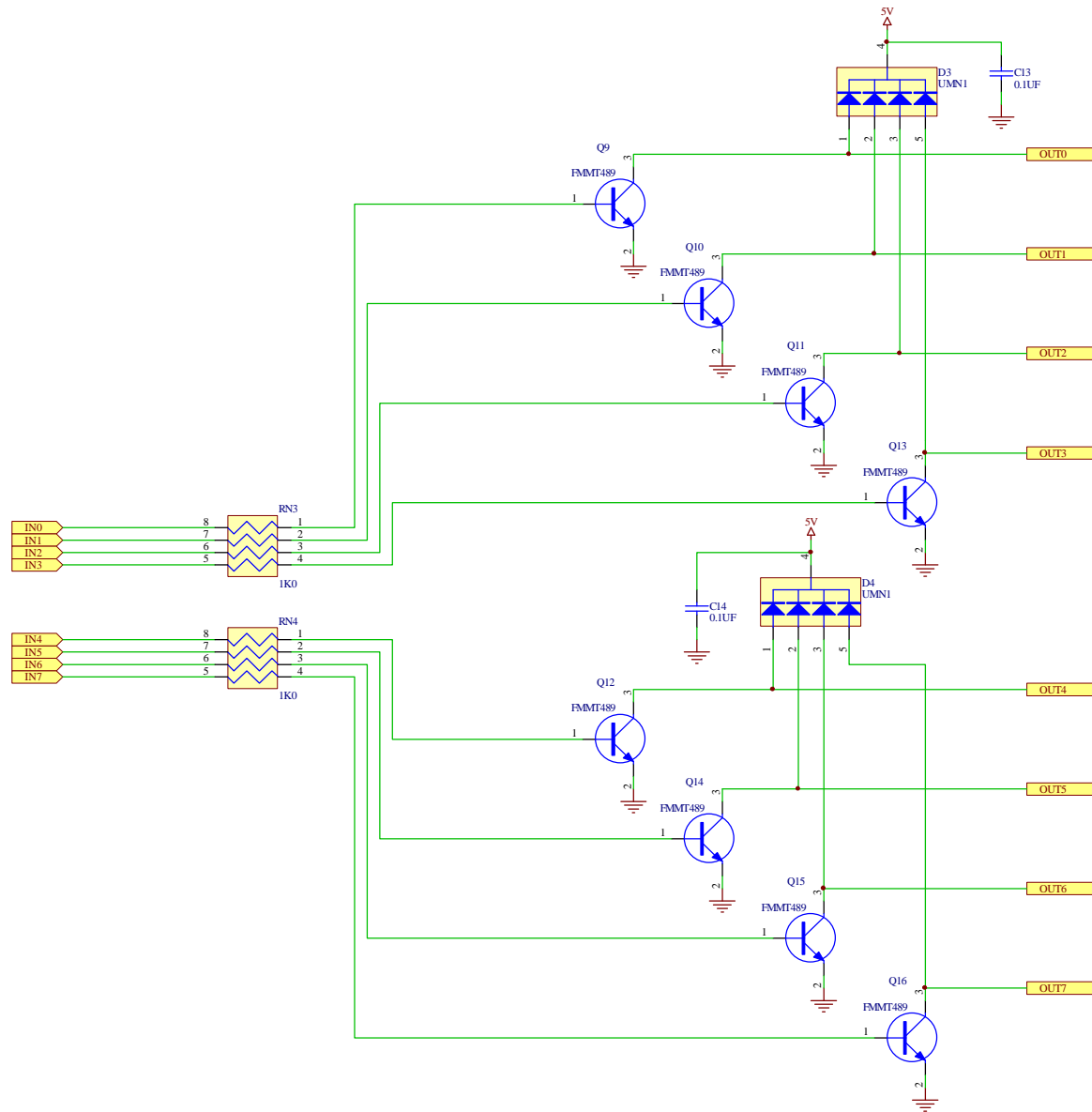
Title			
Super Spiro - FPGA circuit			
Size	Number	Revision	
A3	056-03	1.1	
Date:	5-Oct-1999	Sheet	1 of
File:	G:\temp\056-03.sch	Drawn By:	



Title			Super Spiro - Keypad circuit		
Size	Number	Revision			
A3	056-04	1.0			
Date:	5-Oct-1999	Sheet of			
File:	G:\temp\056-04.sch	Drawn By:			



Title			
Super Spiro - Printer driver 1			
Size	Number	Revision	
A3	056-07	1.0	
Date:	5-Oct-1999	Sheet of	
File:	G:\temp\056-07.sch	Drawn By:	



Title		
Super Spiro - Printer driver 2		
Size	Number	Revision
A3	056-08	1.0
Date:	5-Oct-1999	Sheet of
File:	G:\temp\056-08.sch	Drawn By: